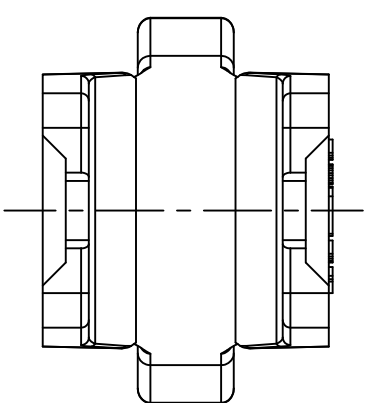
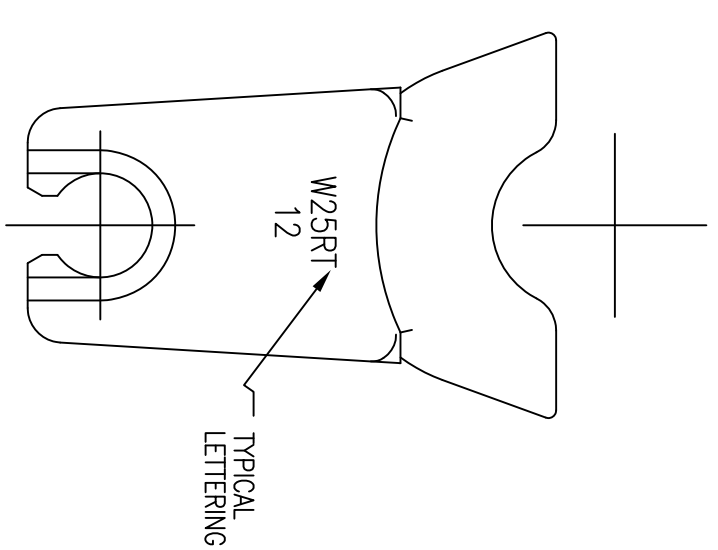
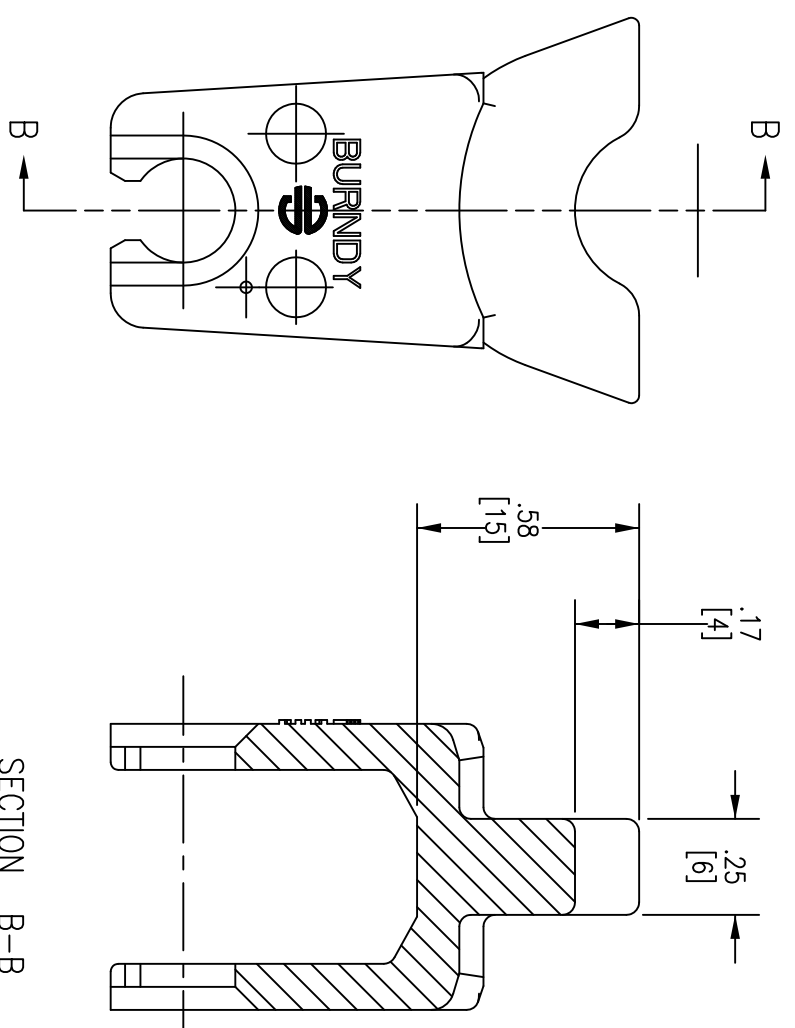
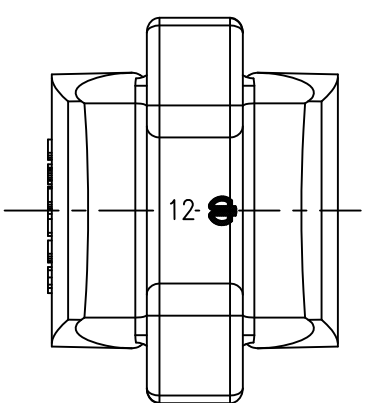


ITEM NO.	DESCRIPTION	QTY.
1	1/0, 12 INDEX DIE SET	1

CATALOG NUMBER	DESCRIPTION
HW25RT	1/0, 12 INDEX DIE SET



- TECHNICAL NOTES:
1. MATERIAL: STAINLESS STEEL.
 2. DIE SET TO CONTAIN TWO (2) DIE HALVES.
 3. DIMENSIONS IN BRACKETS [] ARE IN MILLIMETERS ROUNDED OFF TO THE NEAREST MILLIMETER, UNLESS OTHERWISE SPECIFIED, AND ARE FOR REFERENCE ONLY.
 4. FITS HPAT600U AND HMD7 COMPRESSION TOOLS.
 5. SPECIFICATIONS SUBJECT TO CHANGE WITHOUT NOTICE.

REV.	ECN	DATE	DESCRIPTION	CHG BY	APPD BY
1	17987	8/13/12	INITIAL RELEASE	CG	

Created on AUTOCAD

DIMENSIONING AND TOLERANCE PER
ANSI Y14.5M-1982
UNLESS OTHERWISE SPECIFIED,
DIMENSIONS ARE IN INCHES (MM).
TOLERANCES
.XX = ±.01 (.25)
.XXX = ±.005 (.127)
.XXXX = ±.0025 (.0635)
ANGLE TOL ±1°

IN ACCEPTING OUR DRAWINGS,
BLUPRINTS, OR SUPPORTING
DOCUMENTATION FOR QUOTATION
OR OTHER PURPOSES, YOU AGREE
NOT TO DISCLOSE TO OTHERS
THE IDEAS, INFORMATION, OR
DESIGNS SHOWN HEREIN, AND
THAT YOU WILL MAKE NO USE
OF SAME WITHOUT PERMISSION

PROJECT REFERENCE:
2011-041

MATERIAL:
SEE NOTES

DRAWN BY:
C. GRIBBLE 8/13/12

CHECKED BY:

APPROVED BY:

HUBBELL
Hubbell Premise Wiring
HUBBELL INCORPORATED (Delaware)
23 CLARA DRIVE, SUITE 103 MYSTIC, CT 06355

TITLE:
DIE SET, 1/0, 12 INDEX
W DIE SET FAMILY

SIZE: C
DRAWING NO.: **HW514123C**

SCALE: 1/1
SHEET 1 OF 1

REV. **1**